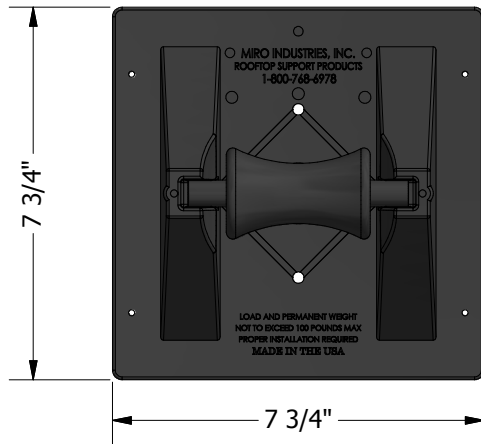
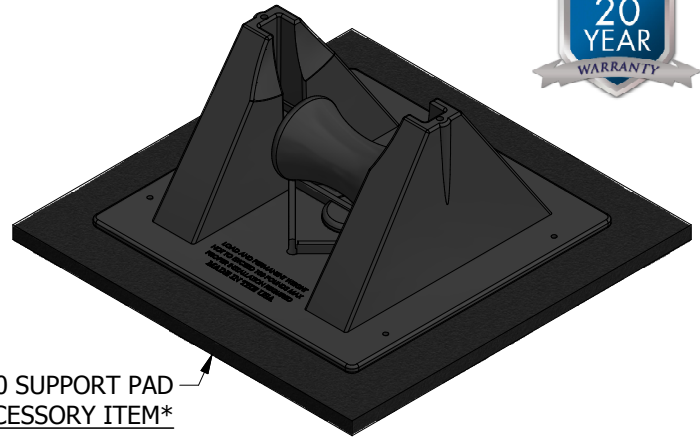




DYNAMIC SERIES

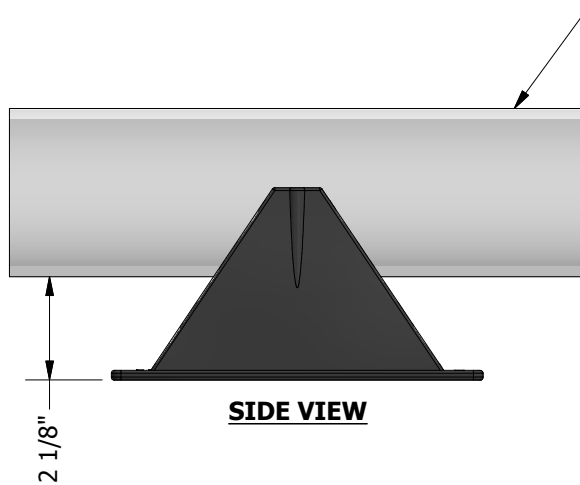


TOP VIEW



10x10 SUPPORT PAD
ACCESSORY ITEM

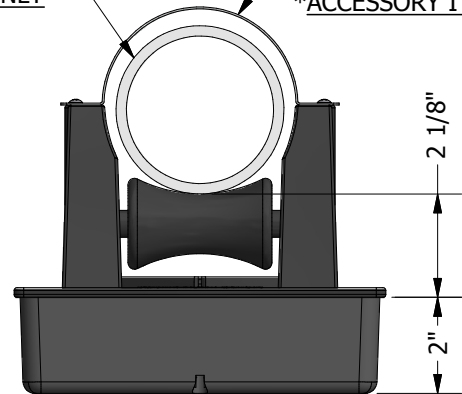
ISOMETRIC VIEW



SIDE VIEW

3" SCH. 40 PIPE
ILLUSTRATION ONLY

3-R-2 PIPE GUIDE
ACCESSORY ITEM



3-R SPACER
ACCESSORY ITEM

END VIEW

ACCESSORIES

- 3-R-2 pipe guide
- 3-R spacer
- Support pad
- Eternabond® 2-sided tape

PRODUCT DESCRIPTION

A "roller-bearing" pipe support used to support roof-mounted gas pipes, electrical conduit, solar piping and other mechanical piping. Unique design absorbs thermal expansion and contraction of pipes thus preventing damage to the roof membrane. Pipes rest on a polycarbonate resin roller and a rod situated in a polycarbonate resin seat.

KEY INFORMATION

- 3" ID maximum pipe capacity 3-3/4" OD maximum.
- Pipe clearance is 2-1/8", even load required, maximum load is 79 lbs.
- 24 per case, 26 lbs. per case, (DW= 21 lbs.)
- Recommended spacing is not to exceed 7 feet centers depending upon the load.
- Make certain each pipestand is properly elevated to even load weight at all pipestands.
- Base Material: Polycarbonate
- Axle and Roller Material: Polycarbonate
- 20 Year Warranty

This document, attachments, and all of the information therein are the property of MIRO Industries, Inc. The information contained is loaned, subject to return upon demand, and is not to be used directly or indirectly in any way detrimental to our interest. Further, the information contained therein shall not be used, in whole or in part, except when allowed by written authorization from MIRO Industries, Inc.