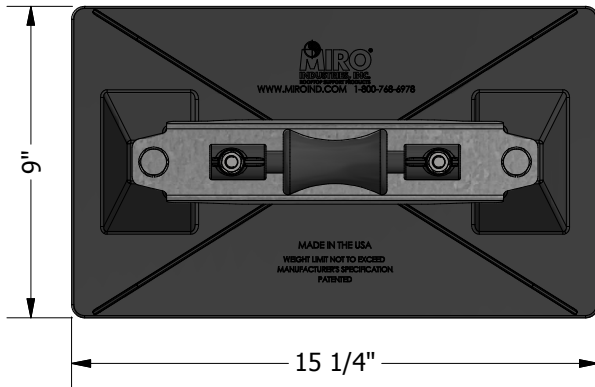
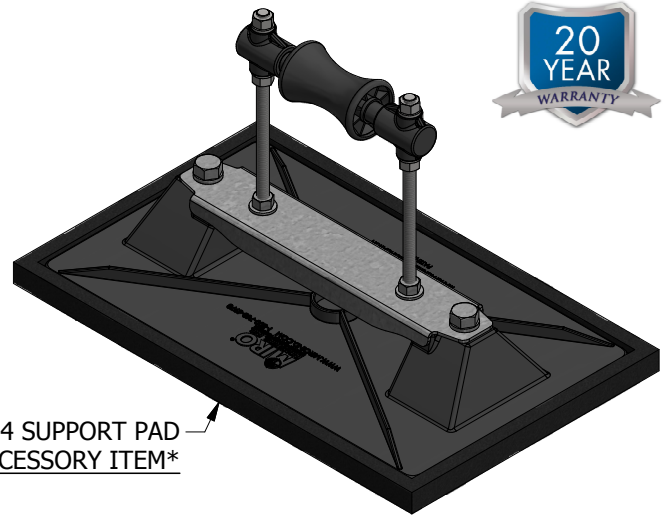




DYNAMIC SUPPORTS



TOP VIEW



9x15-1/4 SUPPORT PAD
ACCESSORY ITEM

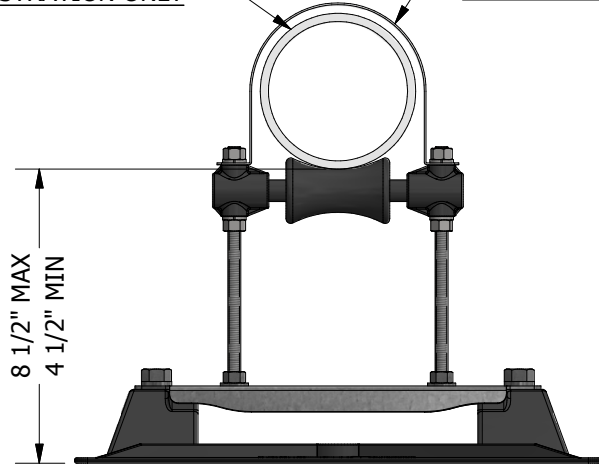
ISOMETRIC VIEW



SIDE VIEW

4" SCH. 40 PIPE
ILLUSTRATION ONLY

4-RAH PIPE GUIDE
ACCESSORY ITEM



8 1/2" MAX
4 1/2" MIN

END VIEW

ACCESSORIES

- Refer to 4-RAH Pipe Guide specification for available sizes.
- Support pad or deck plate
- Eternabond® 2-sided tape

PRODUCT DESCRIPTION

A "roller-bearing" pipe support used to support roof-mounted gas pipes, electrical conduit, solar piping and other mechanical piping. Unique design absorbs thermal expansion and contraction of pipes thus preventing damage to the roof membrane. Pipes rest on a self-lubricating polycarbonate resin axle and roller.

KEY INFORMATION

- 4" ID maximum pipe capacity 4-1/2" OD maximum
- Adjustable in height from 4-1/2" to 8-1/2", even load required, maximum load is 223 lbs. (Max load based on 2.0 psi to the roof deck)
- 7 per case, 27 lbs. per case, (DW= 29 lbs.)
- Recommended spacing is not to exceed 10 feet centers depending upon the load. Make certain each pipestand is properly elevated to even load weight at all pipestands.
- Base Material: Polycarbonate
- Axle, Roller and Collar material: Polycarbonate
- All metal parts are stainless steel or hot-dip galvanized

This document, attachments, and all of the information therein are the property of MIRO Industries, Inc. The information contained is loaned, subject to return upon demand, and is not to be used directly or indirectly in any way detrimental to our interest. Further, the information contained therein shall not be used, in whole or in part, except when allowed by written authorization from MIRO Industries, Inc.