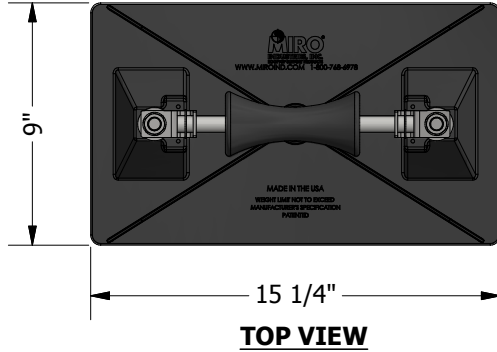
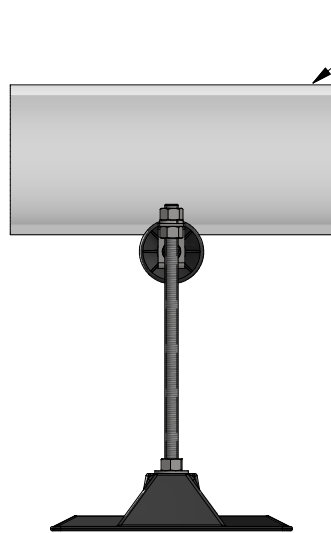
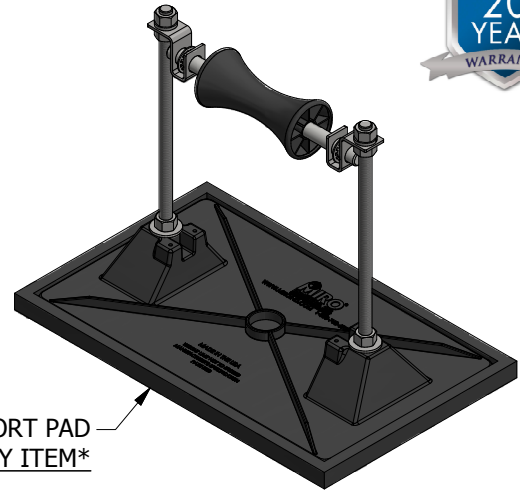




DYNAMIC SUPPORTS

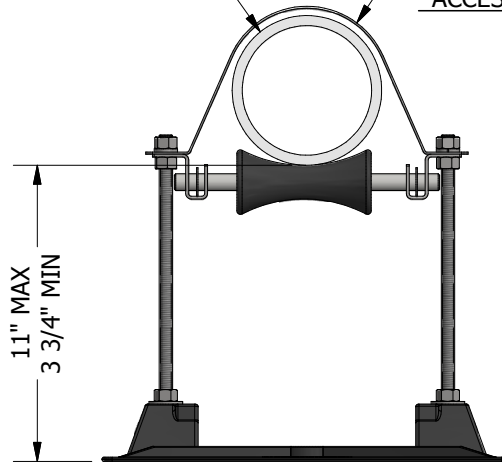


9x15-1/4 SUPPORT PAD
ACCESSORY ITEM



5" SCH. 40 PIPE
ILLUSTRATION ONLY

5-RAH PIPE GUIDE
ACCESSORY ITEM



ACCESSORIES

- Refer to 5-RAH Pipe Guide specification for available sizes.
- 9 x 15-1/4 Support pad
- Eternabond® 2-sided tape

PRODUCT DESCRIPTION

A "roller-bearing" pipe support used to support roof-mounted gas pipes, electrical conduit, solar piping and other mechanical piping.

Unique design absorbs thermal expansion and contraction of pipes thus preventing damage to the roof membrane. Pipes rest on a self-lubricating polycarbonate resin roller and a stainless steel axle.

KEY INFORMATION

- 5" ID maximum pipe capacity 6" OD maximum
- Adjustable height from 3-3/4" to 11", even load required, maximum load is 223 lbs. (Max load based on 2.0 psi to the roof deck)
- 6 per case, 27 lbs. per case, (DW= 30 lbs.)
- Recommended spacing is not to exceed 10 feet centers depending upon the load. Make certain each pipestand is properly elevated to even load weight at all pipestands.
- Base Material: Polycarbonate
- Roller Material: Polycarbonate
- All metal parts are stainless steel