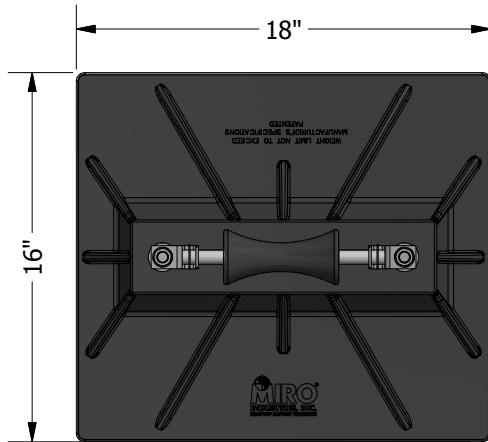
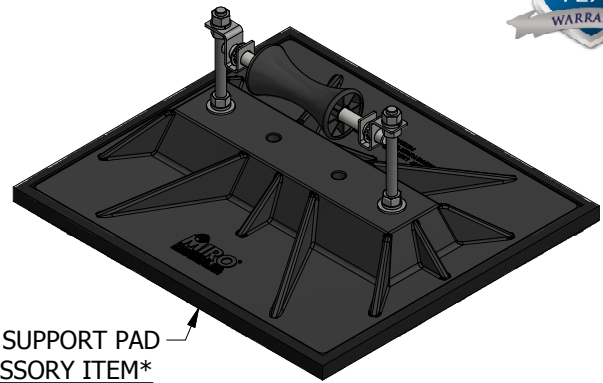




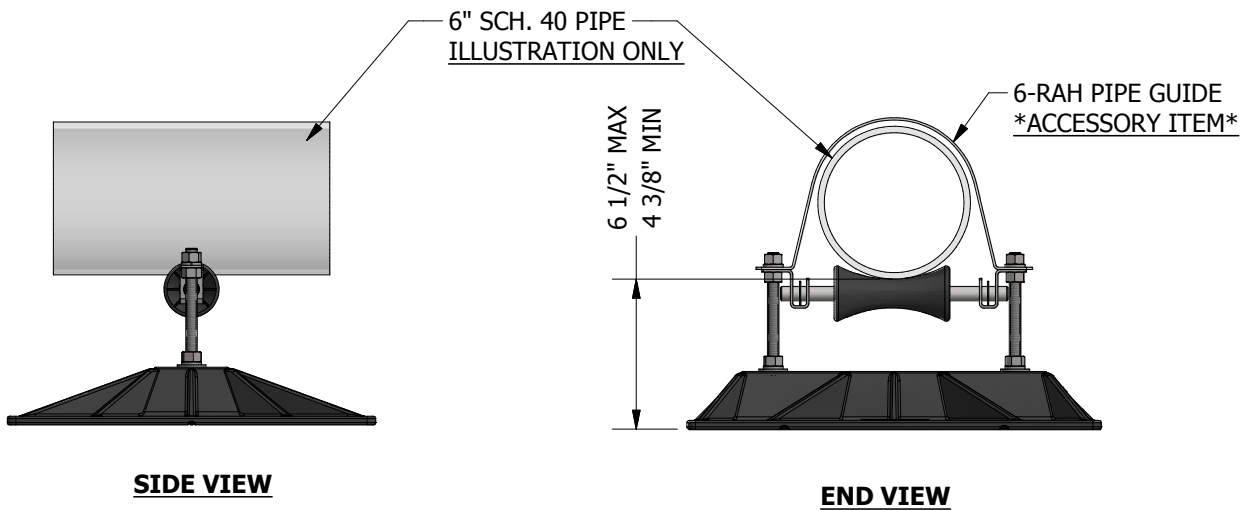
DYNAMIC SERIES



TOP VIEW



ISOMETRIC VIEW



SIDE VIEW

END VIEW

ACCESSORIES

- Refer to 6-RAH Pipe Guide specification for available sizes.
- 16 x 18 Support pad
- Eternabond® 2-sided tape

PRODUCT DESCRIPTION

A "roller-bearing" pipe support used to support roof-mounted gas pipes, electrical conduit, solar piping and other mechanical piping. Unique design absorbs thermal expansion and contraction of pipes thus preventing damage to the roof membrane. Pipes rest on a self-lubricating polycarbonate resin roller and a stainless steel axle.

KEY INFORMATION

- 6" ID maximum pipe capacity 8-1/2" OD maximum
- Adjustable height from 4-3/8" to 6-1/2", even load required, maximum load is 385 lbs.
- 4 per case, 33 lbs. per case, (DW= 36 lbs.)
- Recommended spacing is not to exceed 10 feet centers depending upon the load. Make certain each pipestand is properly elevated to even load weight at all pipestands.
- Base Material: Polycarbonate
- Roller Material: Polycarbonate
- All metal parts are stainless steel

This document, attachments, and all of the information therein are the property of MIRO Industries, Inc. The information contained is loaned, subject to return upon demand, and is not to be used directly or indirectly in any way detrimental to our interest. Further, the information contained therein shall not be used, in whole or in part, except when allowed by written authorization from MIRO Industries, Inc.