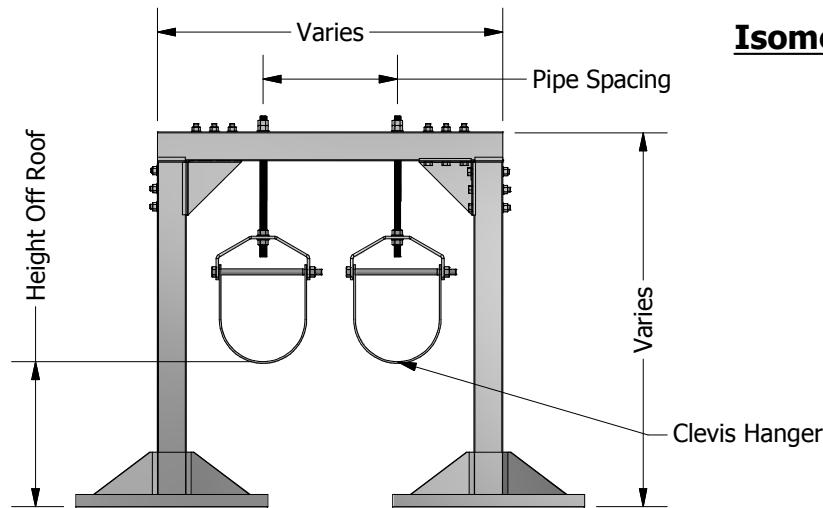
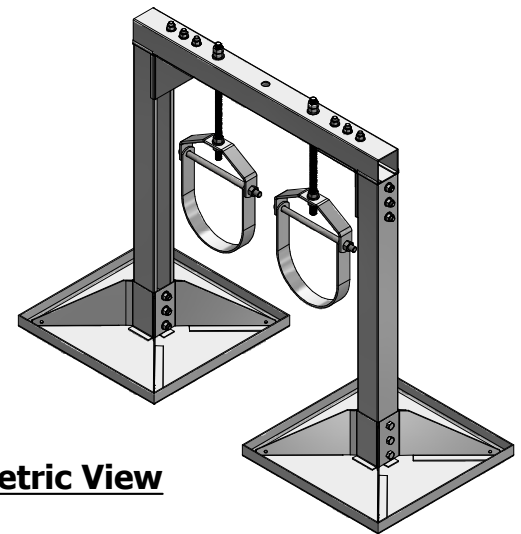
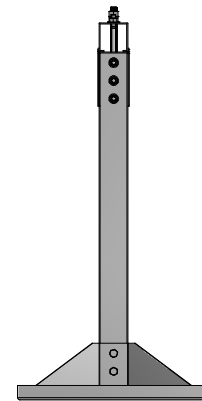
**Top View****Front View****Isometric View****Side View****ACCESSORIES**

- Support pad
- Cross bracing

PRODUCT DESCRIPTION

Water and Steam supports are designed for single or multiple pipes, single tier or multiple tier and for various heights.

To obtain pricing for the 16-H model, call your local representative and have the following information available:

1. Specify quantity of supports needed or provide a rooftop pipe layout drawing and MIRO Ind. will provide a support layout drawing and take off.
2. Type of pipe
3. Size of pipe
4. Pipe contents
5. Center line distance between adjacent pipes for multiple pipe supports
6. Clearance height above roof
7. Thickness of any insulation around pipe

KEY INFORMATION

- The 16-H series support is engineered to ensure member/component capacities and deflection criteria are not exceeded. Maximum loading from any MIRO base to the finished roof surface is not to exceed 2.0 psi unless specifically allowed otherwise in the project specification. Deflection in the horizontal header bar is not to exceed the span length by 360 or 1/8.
- The 16-H series and its related configurations allow adjustable height as desired or required by the code or roof system. Cross-bracing two adjacent pipe stands is required for elevations of 36" and higher. Purchasers must specify desired heights and multiple pipe centerline spacing upon quote requests and ordering of 16-H series stands.
- Recommended spacing is not to exceed 10 feet centers depending upon the load. Make certain each pipestand is properly elevated to even loadweight at all pipestands.
- Width and height are built job specific based on information provided to MIRO Ind.
- Frame is made with custom fabricated framing; size is determined during design
- Base Material: Hot dip galvanized
- All metal parts are hot dip galvanized